

3M™ Fire Barrier Watertight Sealant 3000 WT

3M™ Fire Barrier Water Tight Sealant 3000 WT is a high-performance, ready-to-use, single component, neutral cure, non-slumping intumescent silicone sealant. Product cures upon exposure to atmospheric humidity to form a flexible firestop seal that also acts as a barrier to water leakage and airborne sound transmission. 3M™ Fire Barrier Water Tight Sealant 3000 WT helps control the spread of fire, smoke and noxious gasses before, during and after exposure to a fire when installed in accordance with a listed through-penetration or fire-resistive joint assembly. Tested in accordance with AS1530.4 & AS4072.1.

Product Features

- High expansion volume for firestopping plastic pipes
- Compatible with cPVC
- Provides a draft and cold smoke seal in the installed condition, even before any temperature rise occurs, resulting from a fire
- Non-sag
- Provides a water tight seal
- Adheres to all common building surfaces (cement, plasterboard, wood and plastic)
- One part, low VOC
- Intumescent: expands when heated, forming a char, preventing the transmission of hot gases and fire
- No special tools required
- Testing in accordance with AS1530.4, AS4072.1, EN1366, and ASTM E814 (UL Listed).



Physical Properties

Typical Physical Properties	
Colour	Light Gray with Black Flecks
Density	1.25 g/ml
Adhesion	Good on all construction substrates
Free Expansion	9 times

Availability

3M™ Fire Barrier 3000 WT is available from Authorised 3M Fire Protection Products Distributors in 300mL Cartridge, 600mL sausage and 17 L pail.

Shelf Life

12 months in original unopened containers from date of packaging when stored above 20°C.

Performance Specifications for Installers

FRL for 16 – 25 mm (OD) PEX pipes , wall thickness 2.0 – 3.2 mm*

Building Element	FRL
Wall: Plasterboard Dry Wall, solid masonry, hollow masonry or concrete construction. <i>Minimum 100 mm thickness</i>	-/120/120

In order to achieve the above FRLs you must ensure that the product is installed as per the Installation Techniques and the building element you are installing into has an FRL performance equal to or better than that of the 3000 WT system. The Installation Techniques can be found on the final pages of this document.

What does FRL mean?

FRL stands for 'Fire Resistance Level'. For example, an FRL of '-/120/120' indicates:

- **Structural Adequacy** The first dash '-' indicates that 3000 WT is non load bearing
- **Integrity** The middle number '120' indicates for how many minutes the 3000 WT system can resist the passage of flames and hot gasses
- **Insulation** The last number '120' indicates how many minutes it takes the unexposed face to heat up by more than 140°C.

Installation Techniques: Walls

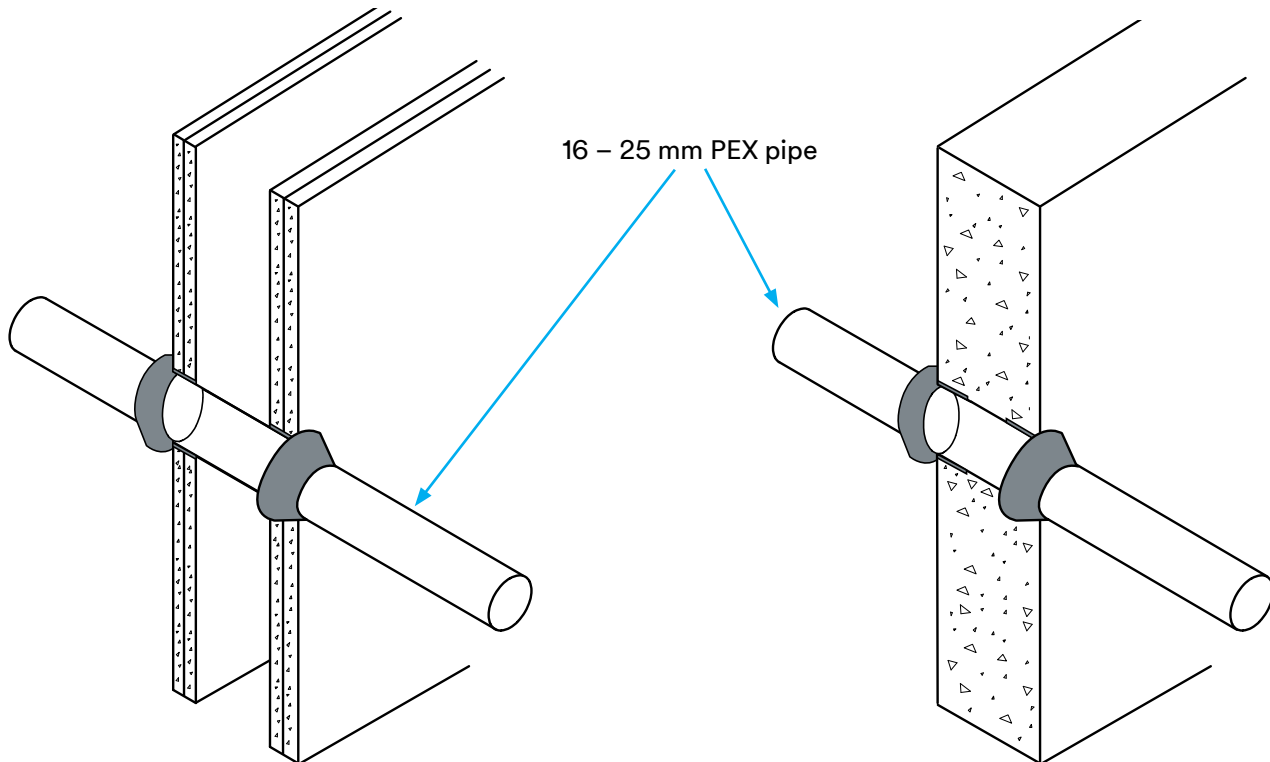
PEX Pipes

- Core holes such that an annular gap of 10 mm is available. For example, for an OD 20 mm Ø PEX pipe, hole 40 mm should be cored.
- Install the PEX pipe concentrically into the holes.
- Install 3000 WT to a depth of 26 mm on both sides of the wall, filling the annular gap. Ensure that the 3000 WT is installed flush with the wall on both sides of the penetration.
- Apply 3000 WT around the pipe external to the wall to give a 25 x 25 mm fillet of sealant.

Note – Pipes should be adequately supported on both sides of the wall

100mm flexible wall systems

100 mm solid wall systems



To view all current 3M Fire Protection Approvals please visit www.3M.com.au/fireprotection

See Regulatory Information Report (RIR) # 4539800.1 for 3M™ Fire Barrier Watertight Sealant 3000 WT.

*3rd Party Fire Testing to AS 1530.4 & AS 4072.1 completed.



3M Industrial Tapes & Adhesives Division
Building A, 1 Rivett Road
North Ryde, NSW, 2113

Phone 136-136 (Option 2)
Web www.3M.com.au

For further information Call: 136 136

User is responsible for determining whether the 3M product is for a particular purpose and suitable for user's application. Limitation of Liability. Except where prohibited by law, 3M will not be liable for any loss or damage arising from this 3M product, whether direct, indirect, special, incidental or consequential, regardless of the legal theory asserted, including warranty, contract, negligence or strict liability.
3M is a trademark of 3M Company.