

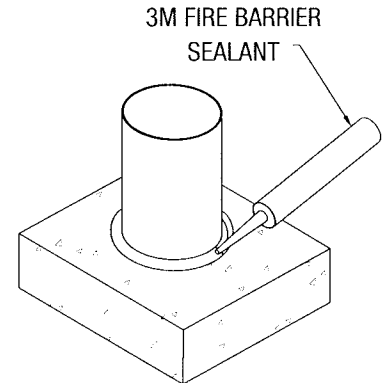
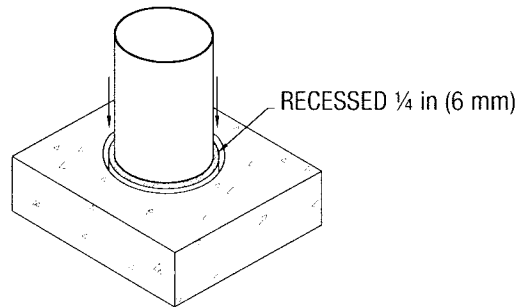
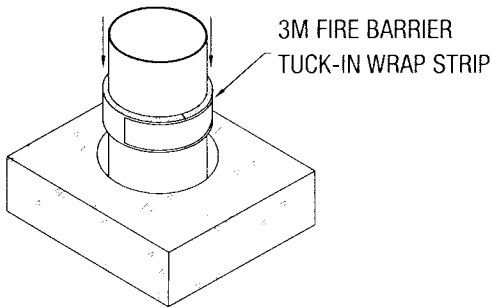
Fire Barrier Tuck-In Wrap Strips Installation Instructions

FILL, VOID OR CAVITY MATERIAL
FOR USE IN THROUGH-PENETRATION FIRESTOP SYSTEMS
SEE UL FIRE RESISTANCE DIRECTORY
90G9

FILL, VOID, OR CAVITY MATERIALS
90G9

General

1. 3M™ Fire Barrier Tuck-In Wrap Strips are designed for installation around nominally sized 2 in, 3 in and 4 in (51 mm, 76 mm and 102 mm) non-metallic pipes.
2. Consult the individual UL system for the application details of 3M™ Fire Barrier Tuck-In Wrap Strip within the opening.
3. Remove the appropriately sized Tuck-In Wrap Strip from the packaging for the pipe that is to be firestopped.
4. Tightly wrap the Tuck-In Wrap Strip around the pipe with the label located on the outside of the Tuck-In Wrap Strip.
5. Remove the release liner from the back of the extended label on the end of the Tuck-In Wrap Strip.
6. Attach the adhesive backed label to the adjacent end of the Tuck-In Wrap Strip, making sure the ends of the Tuck-In Wrap Strip are touching or are separated by a maximum 1/8 in (3 mm).
7. Slide the Tuck-In Wrap Strip that is wrapped around the pipe into the opening recessed ¼ in (6 mm) below the top surface of the concrete floor slab and in accordance with the UL system details.
8. Install a 3M™ Fire Barrier Sealant as detailed within the UL system details for the application that is being firestopped. Currently, IC 15WB+, CP 25WB+ or 3000 WT Sealant are approved for use.
9. 3M™ Fire Barrier Tuck-In Wrap Strips are not suitable for use on CPVC piping systems.



3M™ Fire Barrier Tuck-In Wrap Strips	Product Thickness	Product Height	Product Length
WS 200	3/16 in (5 mm)	2-1/2 in (64 mm)	8-1/4 in (210 mm)
WS 300	3/16 in (5 mm)	2-1/2 in (64 mm)	11-1/2 in (292 mm)
WS 400	3/16 in (5 mm)	2-1/2 in (64 mm)	14-7/8 in (378 mm)

Important Notice to User:

Product Use: Many factors beyond 3M's control and uniquely within user's knowledge and control can affect the use and performance of a 3M product in a particular application. Given the variety of factors that can affect the use and performance of a 3M product, user is solely responsible for evaluating the 3M product and determining whether it is fit for a particular purpose and suitable for user's method of application.

Warranty and Limited Remedy: 3M warrants that each 3M Fire Protection Product will be free from defects in material and manufacture for 90 days from the date of purchase from 3M's authorized distributor. 3M MAKES NO OTHER EXPRESS OR IMPLIED WARRANTIES, INCLUDING ANY IMPLIED WARRANTY OF MERCHANTABILITY OR FITNESS FOR A PARTICULAR PURPOSE. If a 3M product does not conform to this warranty, the sole and exclusive remedy is, at 3M's option, replacement of the 3M product or refund of the purchase price.

Limitation of Liability: Except where prohibited by law, 3M will not be liable for any loss or damage arising from the 3M product, whether direct, indirect, special, incidental or consequential, regardless of the legal theory asserted.

Building and Commercial Services Division

3M Center 223-2N-20
St. Paul, MN 55144-1000
1-800-328-1687
3M.com/firestop

Please Recycle. Printed in U.S.A.
© 3M 2009. All rights reserved.
34-8704-4352-9
11/2009 rev0

3M is a trademark of 3M. All other trademarks are the property of their respective owners.

4. Performance & Typical Physical Properties

Color:	Gray with Red Liner
Fire Resistance:	1-3 Hours (wall- or floor-rating dependent)
Activation Temperature:	550° F (288° C)
Expansion Volume:	100x

Product Number	Thickness	Width	Length	Nominal Pipe Diameter	Installation Hole Size (max.)
WS 200	3/16 in. (5 mm)	2-1/2 in. (64 mm)	8-1/4 in. strip (210 mm)	2 in. (51 mm)	4 in. (102 mm)
WS 300	3/16 in. (5 mm)	2-1/2 in. (64 mm)	11-1/2 in. strip (292 mm)	3 in. (76 mm)	5 in. (127 mm)
WS 400	3/16 in. (5 mm)	2-1/2 in. (64 mm)	14-7/8 in. strip (378 mm)	4 in. (102 mm)	6 in. (152 mm)
WS Roll	3/16 in. (5 mm)	2-1/2 in. (64 mm)	8.2 ft. roll (2.5 m)	up to 6 in. (152 mm)*	up to 8 in. (203 mm)*

*Installation hole size can be up to two inches larger than nominal pipe diameter.

5. Packaging, Storage, Shelf Life

Packaging	3M™ Fire Barrier Tuck-In Wrap Strips (WS 200, WS 300, WS 400) are packed in a cardboard box containing 24 pre-labeled wrap strips. 3M™ Fire Barrier Tuck-In Wrap Strips WS Roll comes 6 individual rolls per case.
Storage	3M™ Fire Barrier Tuck-In Wrap Strips should be stored indoors in dry conditions.
Shelf Life	3M™ Fire Barrier Tuck-In Wrap Strips shelf life is indefinite when stored in original unopened packaging indoors.

6. Installation Techniques

Consult a 3M Authorized Fire Protection Products Distributor / Dealer or Sales Representative for applicable UL, or other third-party, drawings and system details.

Preparatory Work	The 3M™ Fire Barrier Wrap Strip should be sized appropriately for the penetrating item. The opening should be clean, dry, free of dust or debris. 3M™ Fire Barrier Wrap Strip WS Roll can be pre-cut to length (note: for a 6-inch pipe, wrap the roll around the pipe twice, mark the length and cut (approx. 44-1/4 in. +/- 1/4 in. (1.12 m +/- 6.4 mm)). 3M™ Fire Barrier Wrap Strip WS Roll can be secured around pipe by using glass-reinforced Scotch® Filament Tape, 3M Aluminum Foil Tape or similar.
Installation Details	Install the correct 3M™ Fire Barrier Tuck-In Wrap Strip and 3M™ Fire Barrier Sealant as detailed within the applicable UL, or other third-party, system for the assembly and required system rating(s).
Limitations	This product is not acceptable for use with chlorinated polyvinyl chloride (CPVC) pipes.

7. Maintenance

No maintenance should be required when installed in accordance with the applicable independent test agency's listed system and 3M™ Fire Barrier Tuck-In Wrap Strip Installation Guide. Once installed, if any portion of the 3M™ Fire Barrier Tuck-In Wrap Strip is damaged, the entire damaged wrap strip should be removed and re-installed with a new 3M™ Fire Barrier Tuck-In Wrap Strip and new 3M™ Fire Barrier Sealant as detailed within the applicable Listed System.

8. Availability

3M™ Fire Barrier Tuck-In Wrap Strips are available from 3M Authorized Fire Protection Products Distributors and Dealers. 3M™ Fire Barrier Tuck-In Wrap Strips are available for the following nominal pipe diameters: 2 in. WS 200 (51 mm), 3 in. WS 300 (76 mm), 4 in. WS 400 (102 mm) and up to 6 in. WS Roll (152 mm). For additional technical and purchasing information regarding this and other 3M Fire Protection Products, please call: 1-800-328-1687 or visit www.3m.com/firestop.

9. Safe Handling Information

Consult applicable country-of-use Material Safety Data Sheet (MSDS) of any 3M™ Fire Barrier Sealant, Mortar or Pillows used in conjunction with 3M™ Fire Barrier Tuck-In Wrap Strips prior to handling and disposing of that product.

Important Notice to User:

Technical Information: The technical information, recommendations and other statements contained in this document are based upon tests or experience that 3M believes are reliable, but the accuracy or completeness of such information is not guaranteed.

Product Use: Many factors beyond 3M's control and uniquely within user's knowledge and control can affect the use and performance of a 3M product in a particular application. Given the variety of factors that can affect the use and performance of a 3M product, user is solely responsible for evaluating the 3M product and determining whether it is fit for a particular purpose and suitable for user's method of application.

Warranty and Limited Remedy: 3M warrants that each 3M Fire Protection Product will be free from defects in material and manufacture for 90 days from the date of purchase from 3M's authorized distributor. 3M MAKES NO OTHER EXPRESS OR IMPLIED WARRANTIES, INCLUDING ANY IMPLIED WARRANTY OF MERCHANTABILITY OR FITNESS FOR A PARTICULAR PURPOSE. If a 3M product does not conform to this warranty, the sole and exclusive remedy is, at 3M's option, replacement of the 3M product or refund of the purchase price.

Limitation of Liability: Except where prohibited by law, 3M will not be liable for any loss or damage arising from the 3M product, whether direct, indirect, special, incidental or consequential, regardless of the legal theory asserted.



Building and Commercial Services Division

3M Center, Building 223-2N-21
St. Paul, MN 55144-1000 USA
1-800-328-1687
www.3m.com/firestop

Please Recycle. Printed in USA. © 3M 2010. All Rights Reserved.
Reference Code: 98-0213-4612-1

3M is a trademark of 3M Company. Scotch is a registered trademark of 3M Company. All other trademarks are the property of their respective owners.