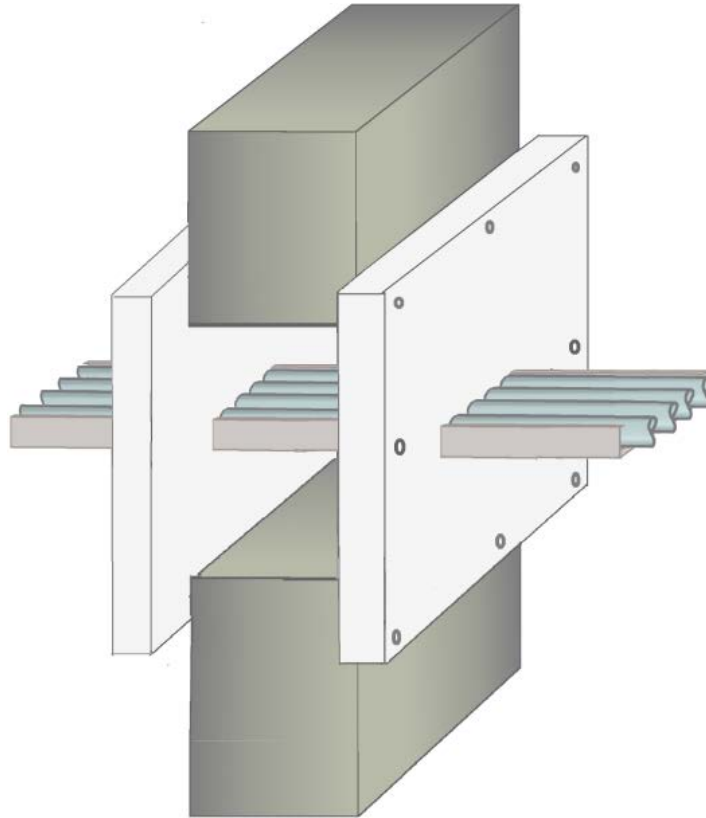


## **PROTECTA FR BOARD**

### **Pattress Fitting Specifications**

All Protecta FR Board double-board wall systems may be pattress fixed as an alternative method of installation.



Typically pattress installations of coated board seals will provide equal or improved performance relative to seals fixed within the aperture due to the increased overall seal depth, provided the installation detail is adequate, since the interface between coated board and the wall is a potential weakness (excerpt from UL International Assessment Report 4788528710).

All Protecta FR Board systems for concrete or plasterboard walls may therefore be installed pattress fitted subject to the following installation details as set out in page 9 of Warringtonfire FAS200262:

- a) Minimum 50mm overlap to all sides of the opening bonded to the wall with Protecta FR Coating (for both single-sided and double-sided boards).
- b) Maximum 1100mm by 1100mm wall aperture or 1100mm x 550mm high where aperture is against the soffit.
- c) Boards to be fixed to the wall with 5mm x 100mm fixings at max 300mm centres (timber screws, plasterboard bolts/fixings or masonry screws with penny washers).
- d) Ends of boards to be coated/capped with Protecta FR Coating.
- e) Maximum FRR -/120/120 (unless tested separately as a pattress system).