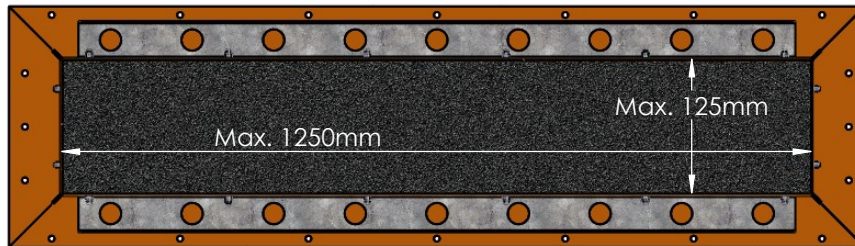
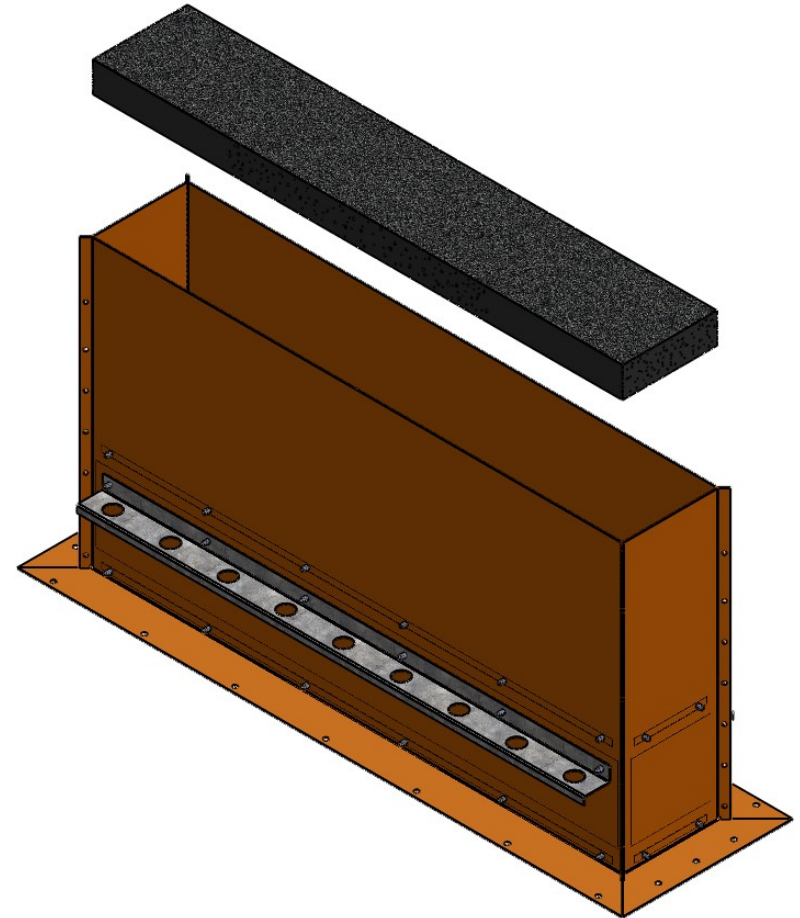
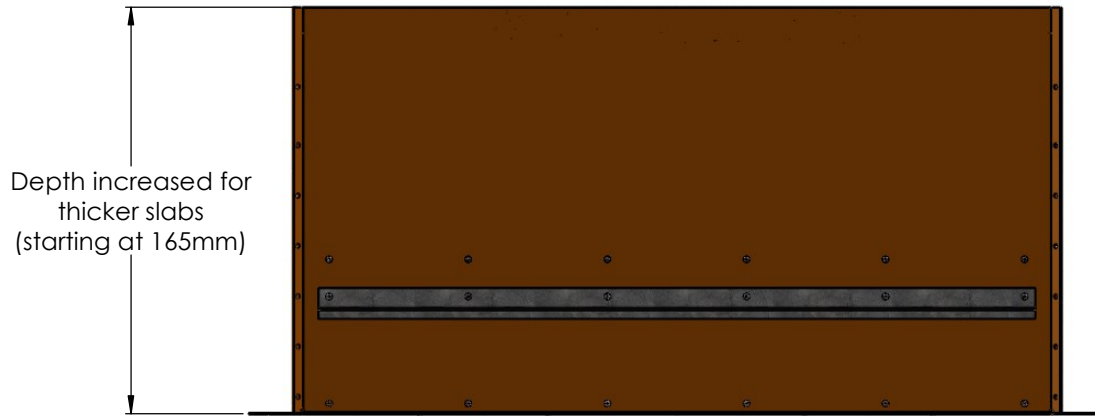



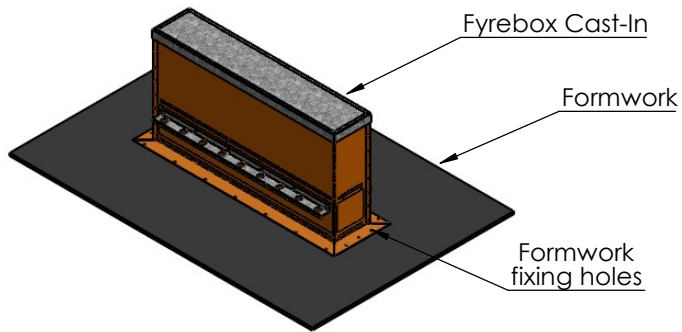
# Fyrebox Cast In - Product Overview



<b>Drawing Name:</b> Fyrebox Cast In Overview				<b>Test Standard:</b> AS1530.4	<b>Codes:</b>	<b>Revision:</b>	<b>Date:</b>	<b>No.:</b>	<b>NOTICE:</b>
<b>Project Title:</b> Fyrebox Cast In - Generic Install				<b>Fire resistance level:</b>	<b>Drawn By:</b> JC				<small>NOTE: ALL DIMENSIONS ARE IN MILLIMETRES (mm)</small>  <b>Trafalgar Head Office:</b> PO BOX 545 Chester Hill NSW 2162 T: 1800 888 714 F: 1800 201 500 E: info@tfire.com.au W: www.tfire.com.au
<b>Drawing No. :</b> 1	<b>Sheet:</b> 1 of 5	<b>Date:</b> 27/05/2020	<b>Scale:</b> NTS	<b>Based on Report No.:</b>	<b>Checked By:</b> CT	<input type="checkbox"/> STANDARD DRAWING <input type="checkbox"/> PROJECT DRAWING			

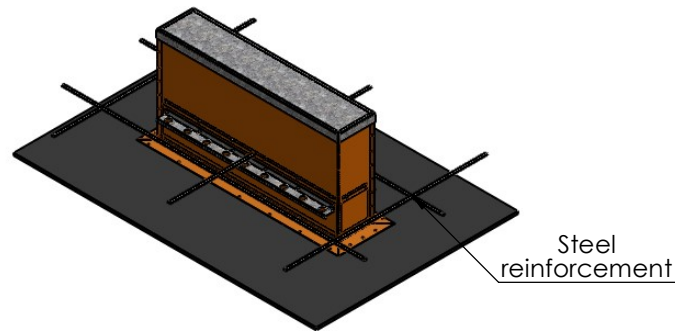
# Fyrebox Cast In - Installation Overview

## STEP 1



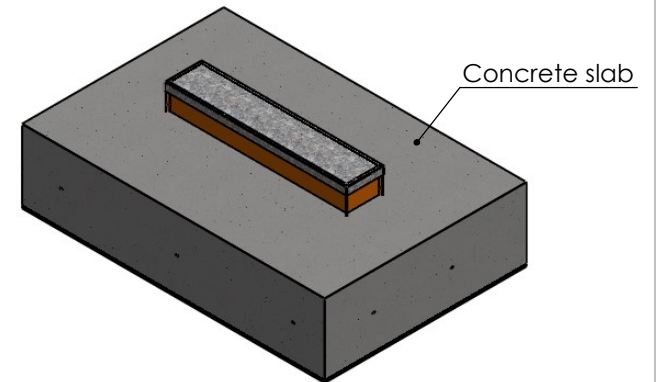
Secure Fyrebox Cast-In to formwork, through the fixing holes in the bottom flange

## STEP 2



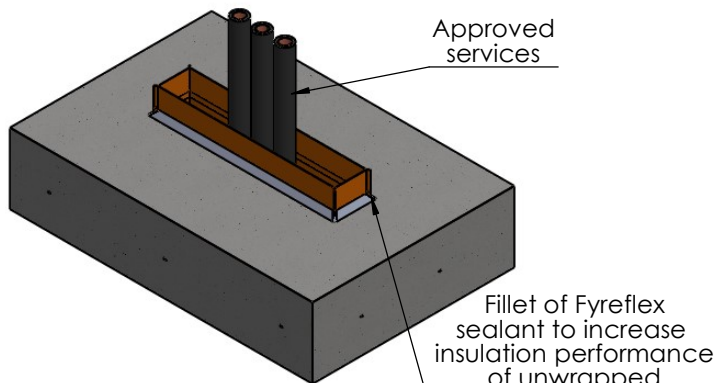
Install steel reinforcement, as required for concrete slab, around the Fyrebox Cast-In

## STEP 3



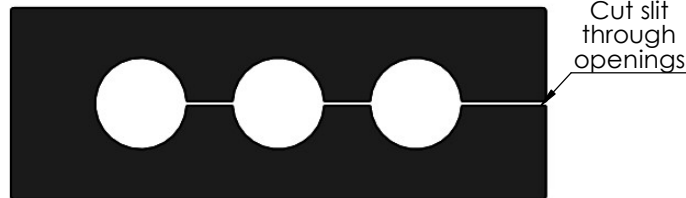
Cast concrete slab around Fyrebox, to a minimum depth of 120mm

## STEP 4



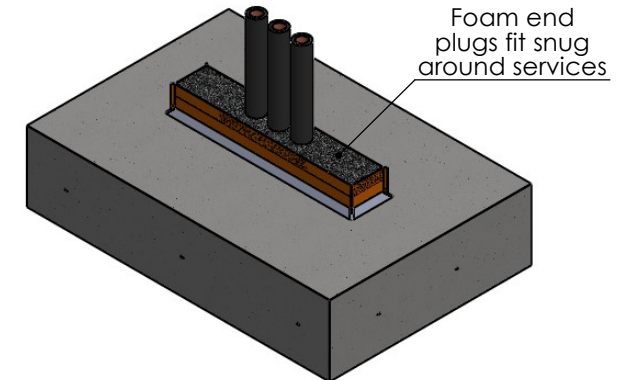
Install approved services through the Fyrebox Cast-In

## STEP 5



Retrieve foam end plugs and form openings to match the services within the Fyrebox. Cutting a slit through these openings will allow for the plug to be opened and inserted around the existing services

## STEP 6



Fit foam end plugs tightly around the services, from each side of the Fyrebox, and plug any gaps with foam off cuts or Fyreflex Sealant. Continue to 'TWrap' drawing if wrapping will be required for full insulation.

**Drawing Name:** Installation Overview

**Project Title:** Fyrebox Cast In - Generic Install

**Drawing No. :**  
2

**Sheet:**  
2 of 5

**Date:**  
27/05/2020

**Scale:**  
NTS

**Test Standard:**  
AS1530.4

**Fire resistance level:**

**Based on Report No.:**

**Codes:**

**Drawn By:**  
JC

**Checked By:**  
CT

**Revision:**

STANDARD DRAWING  
 PROJECT DRAWING

**Date:**

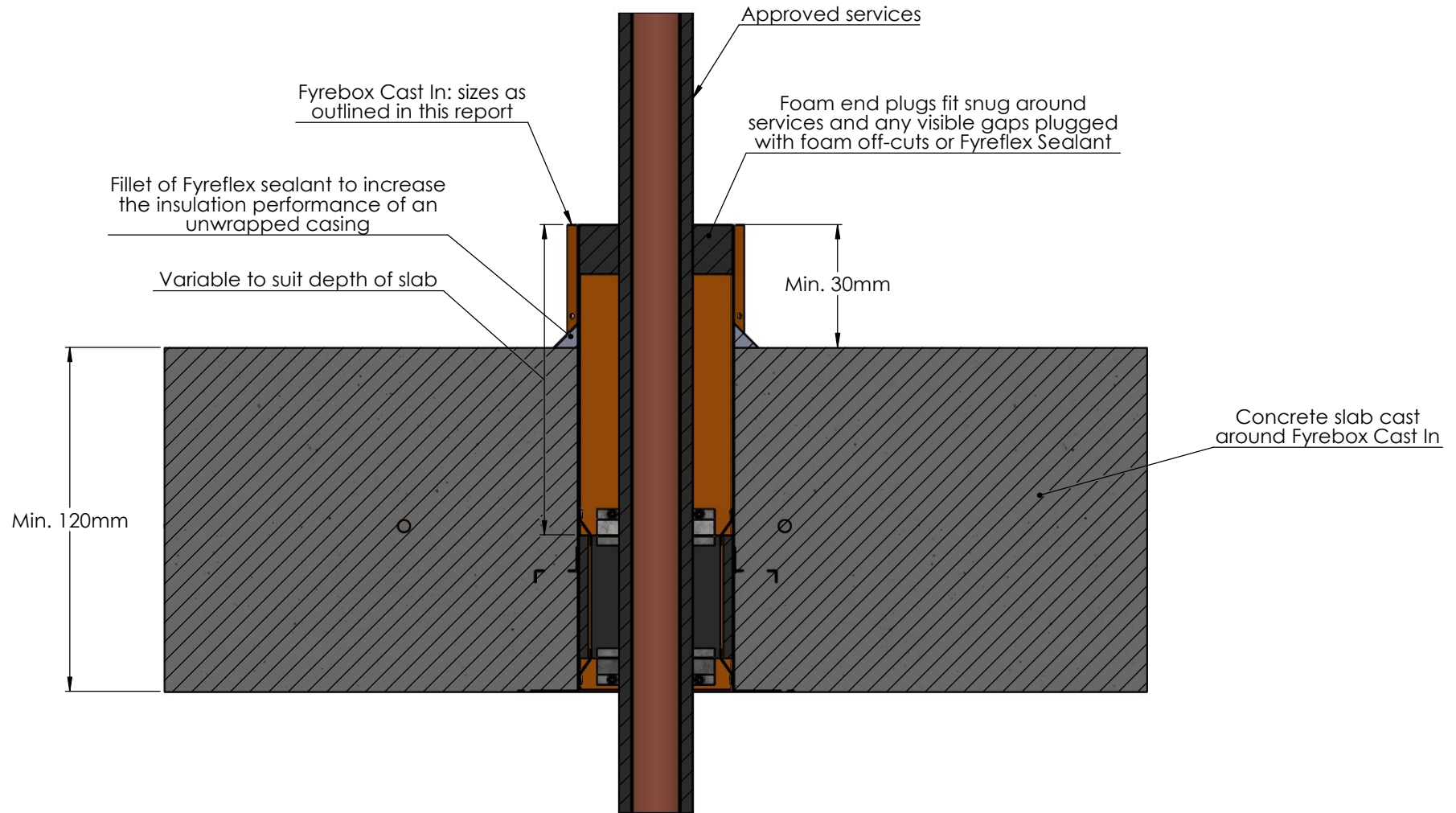
**No.:** **NOTICE:**


NOTE: ALL DIMENSIONS ARE IN MILLIMETRES (mm)

**Trafalgar Head Office:**  
PO BOX 545  
Chester Hill NSW 2162  
T: 1800 888 714  
F: 1800 201 500  
E: info@tfire.com.au  
W: www.tfire.com.au

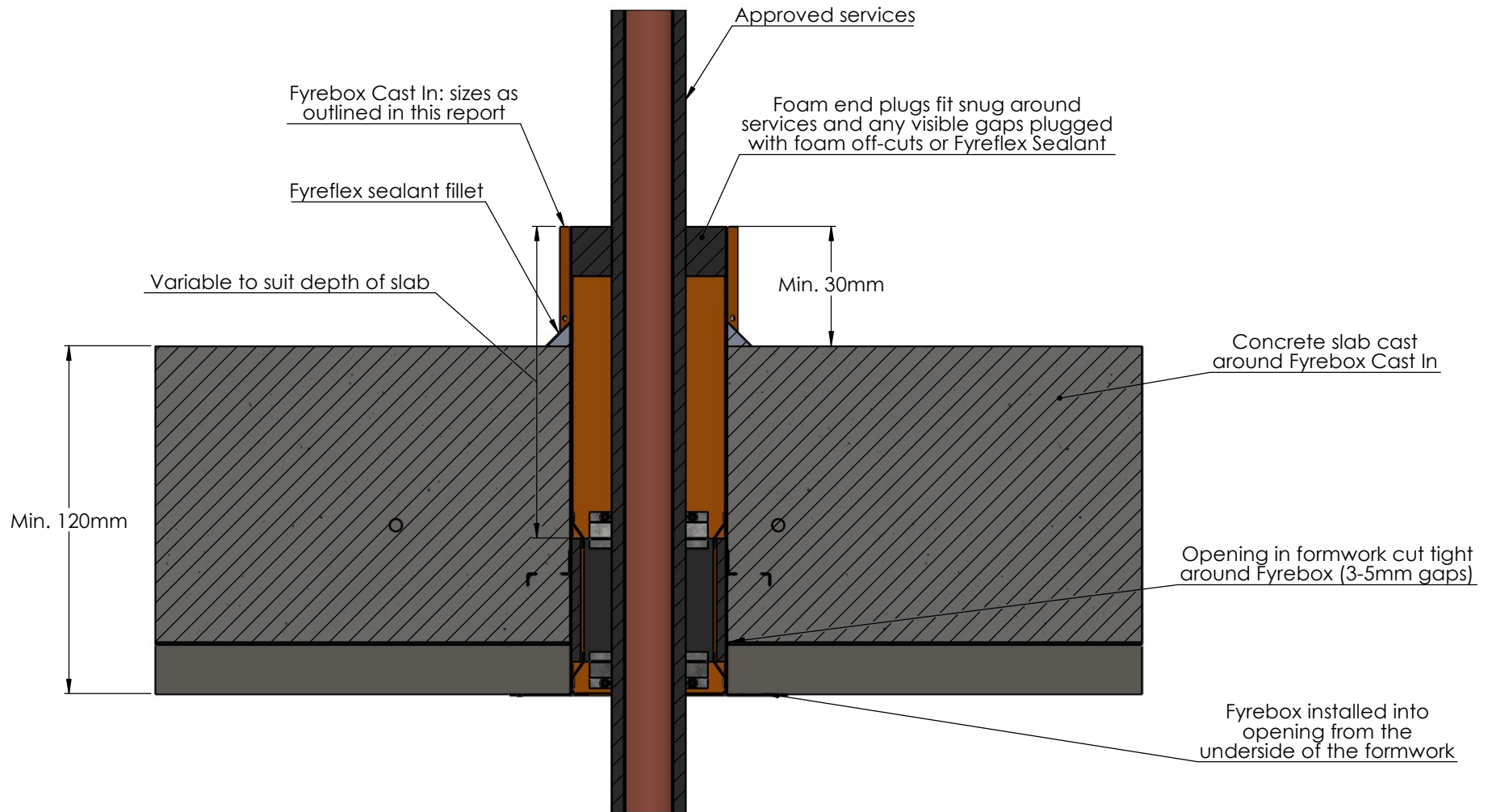



# Concrete Slabs



<b>Drawing Name:</b> Concrete Slab				<b>Test Standard:</b> AS1530.4	<b>Codes:</b>	<b>Revision:</b>	<b>Date:</b>	<b>No.:</b>	<b>NOTICE:</b>
<b>Project Title:</b> Fyrebox Cast In - Generic Install				<b>Fire resistance level:</b>	<b>Drawn By:</b> JC				<small>NOTE: ALL DIMENSIONS ARE IN MILLIMETRES (mm)</small>  <b>Trafalgar Head Office:</b> PO BOX 545 Chester Hill NSW 2162 T: 1800 888 714 F: 1800 201 500 E: info@tfire.com.au W: www.tfire.com.au
<b>Drawing No. :</b> 3	<b>Sheet:</b> 3 of 5	<b>Date:</b> 27/05/2020	<b>Scale:</b> NTS	<b>Based on Report No.:</b>	<b>Checked By:</b> CT	<input type="checkbox"/> STANDARD DRAWING <input type="checkbox"/> PROJECT DRAWING			

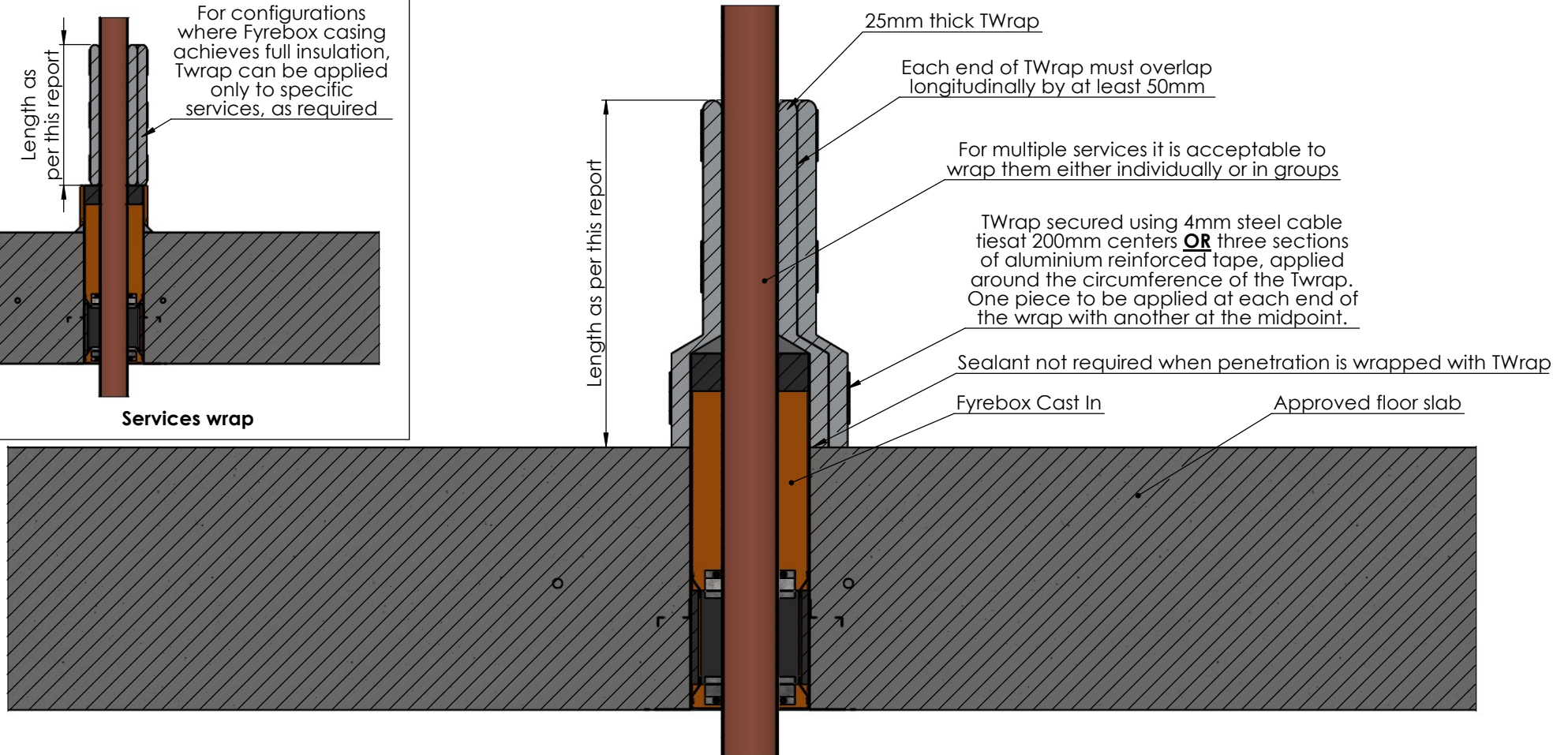
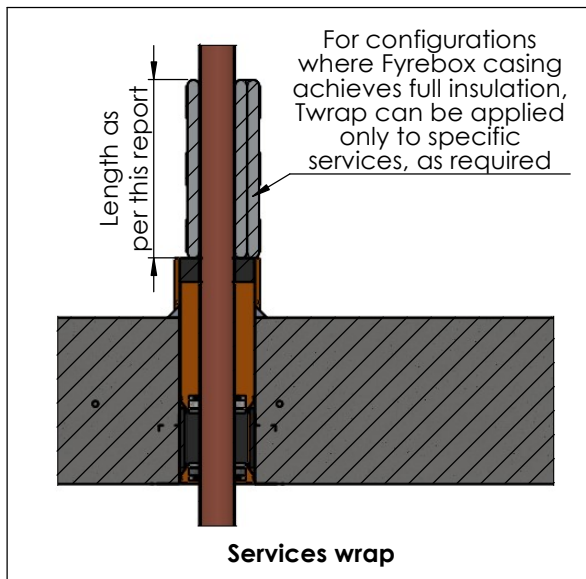
# Bondek Slabs (and/or similar with ribbed formwork)



<b>Drawing Name:</b> Bondek				<b>Test Standard:</b> AS1530.4	<b>Codes:</b>	<b>Revision:</b>	<b>Date:</b>	<b>No.:</b>	<b>NOTICE:</b>
<b>Project Title:</b> Fyrebox Cast In - Generic Install				<b>Fire resistance level:</b>	<b>Drawn By:</b> JC				NOTE: ALL DIMENSIONS ARE IN MILLIMETRES (mm)
<b>Drawing No. :</b> 4	<b>Sheet:</b> 4 of 5	<b>Date:</b> 27/05/2020	<b>Scale:</b> NTS	<b>Based on Report No.:</b>	<b>Checked By:</b> CT	<input type="checkbox"/> STANDARD DRAWING <input type="checkbox"/> PROJECT DRAWING		 <b>Trafalgar Head Office:</b> PO BOX 545 Chester Hill NSW 2162 T: 1800 888 714 F: 1800 201 500 E: info@tfire.com.au W: www.tfire.com.au	


# TWrap - Fire Rated Floors

Where the Fyrebox and/or services do not achieve full insulation, TWrap can be applied in order to increase this insulation rating up to -/XXX/120.



**NOTES:**

- Cable trays require TWrap infill material to be packed in between cable groupings to the full depth of the cable tray for 300mm away from the FyreBOX prior to being wrapped with TWrap

<b>Drawing Name:</b> TWrap				<b>Test Standard:</b> AS1530.4	<b>Codes:</b>	<b>Revision:</b>	<b>Date:</b>	<b>No.:</b>	<b>NOTICE:</b>
<b>Project Title:</b> Fyrebox Cast In - Generic Install				<b>Fire resistance level:</b>	<b>Drawn By:</b> JC				<small>NOTE: ALL DIMENSIONS ARE IN MILLIMETRES (mm)</small>  <b>Trafalgar Head Office:</b> PO BOX 545 Chester Hill NSW 2162 T: 1800 888 714 F: 1800 201 500 E: info@tfire.com.au W: www.tfire.com.au
<b>Drawing No. :</b> 5	<b>Sheet:</b> 5 of 5	<b>Date:</b> 27/05/2020	<b>Scale:</b> NTS	<b>Based on Report No.:</b>	<b>Checked By:</b> CT	<input type="checkbox"/> STANDARD DRAWING <input type="checkbox"/> PROJECT DRAWING			