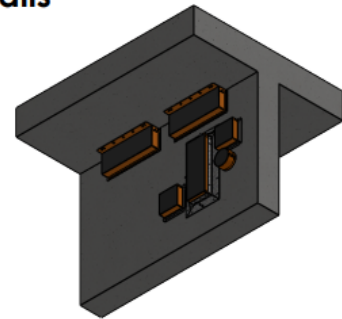
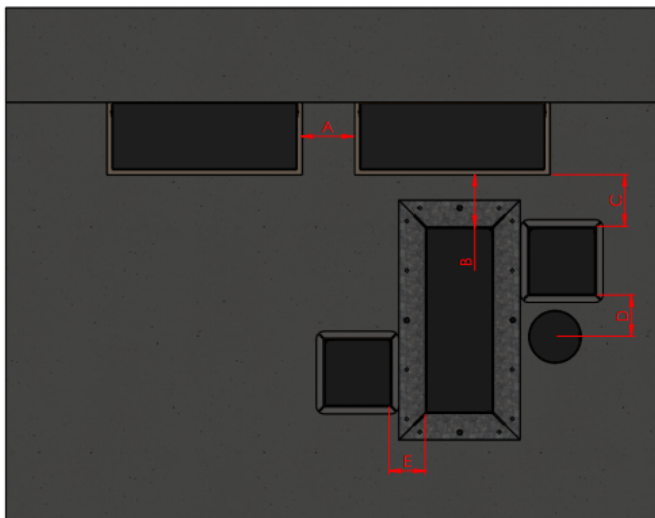


FyreBOX in close proximity

Subject to the ability of the fire barrier to support the opening sizes, FyreBOX MAXI/MINI can be installed as close as 100mm to each other or with flanges touching.


Double-stacked FyreBOX MAXIs can also be installed in most barrier types – Trafalgar recommend the double-vertical boxes to reduce the width of wall removed, double-horizontal boxes are also fully compliant.

Fireboxes In Close Proximity - Walls



| Key | Fyrebox Configuration | Minimum Separation Requirement |
|-----|--|---|
| A | SlabMount to SlabMount | 100mm from SlabMount wall opening to SlabMount wall opening |
| B | SlabMount to Maxi | 100mm from SlabMount wall opening to Maxi wall opening |
| C | SlabMount to Mini | 100mm from SlabMount wall opening to Mini wall opening |
| D | Mini to Mini OR Maxi to Maxi or Superstopper to Superstopper | Edge of fixing flanges touching |
| E | Mini to Maxi | Edge of fixing flanges touching |

NOTE: In some instances, reduced separation distances can be achieved by following the 'stacking' detail for each approved Fyrebox configuration

| | | | | | | | | | |
|---|-------------------------|----------------------------|----------------------|-----------------------------------|--------------------------|--|--------------|-------------|----------------|
| Drawing Name: Firebox In Proximity - Walls | | | | Test Standard: AS1530.4 | Codes: | Revision: | Date: | No.: | NOTICE: |
| Project Title: Firebox Install Variations | | | | Fire resistance level: | Drawn By: JC | <small>NOTE: ALL DIMENSIONS ARE IN MILLIMETRES (mm)</small>  Trafalgar Group Offices: PO BOX 545 Chester Hill NSW 2162 T: 1800 888 714 F: 1800 251 500 E: info@fyre.com.au W: www.fyre.com.au | | | |
| Drawing No.: 2 | Sheet: 2 of 9 | Date: 30/01/2020 | Scale: NTS | Based on Report No.: | Checked By: CT | | | | |