

6.5.2 Oversize penetration seals, in drywalls and concrete/masonry walls or floors

Penetration seal example: Combustible pipes fitted with Protecta FR Collar, to both sides of the wall.

Construction details:

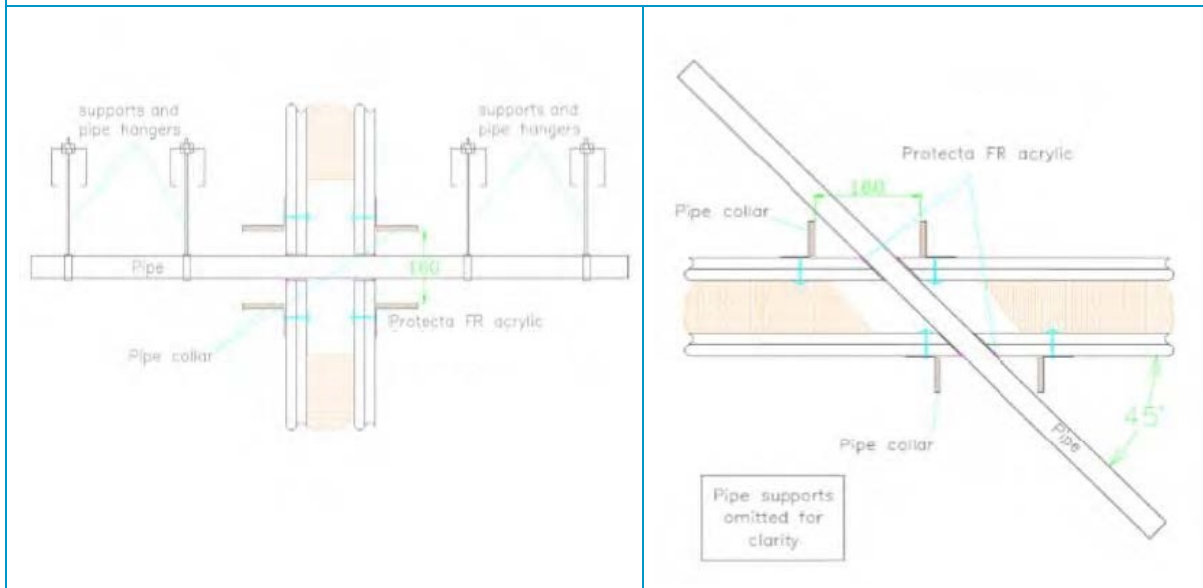


Table 36 PVC-U pipe installed at an angle (45°)

| Services | Collar inlay | FRL |
|---|--------------|-------------|
| PVC-U pipe | | |
| Diameter 50 mm, wall thickness 2.4 mm* | 60 × 15.0 mm | -/90/90 C/C |
| <p>*Pipe fitted at 45° to the face of the partition in a horizontal plane</p> <p>Note: Oversize collars can be used as a method of fire protection in both walls and floors for any type of services as assessed in section 6 including both pipes and cables where the requirement for oversize collars arise due to angling of services or oversized apertures. However, when used with over-sized collars, the fire resistance performance of any 180 minutes or 240 minutes systems must be reduced to maximum 120 minutes in integrity and insulation.</p> | | |